



Product Name

Directional Coupler (698-3800MHz, 200W, 4.3-10 F, IP65, -160dBc)

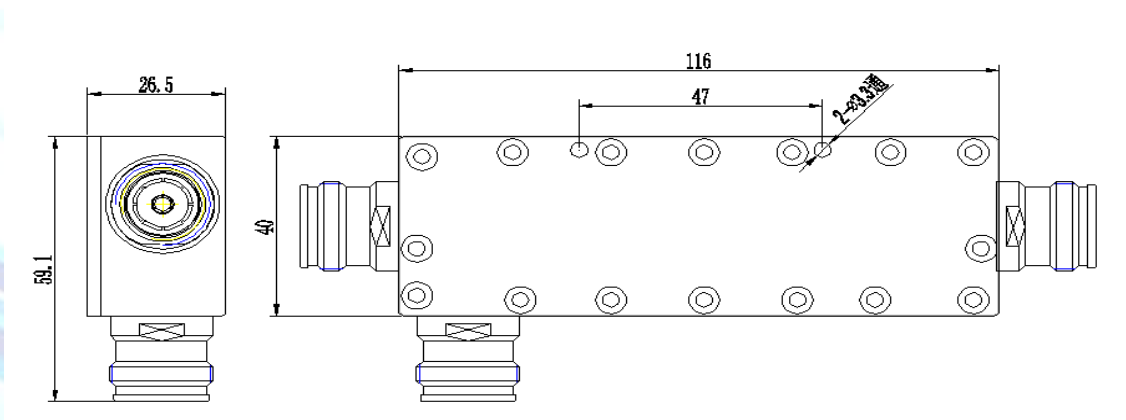
Product Features

- ◆ Wide Frequency Band 698-3800MHz
- ◆ 2G/3G/4G/LTE Coverage
- ◆ Low Passive Inter-modulation
- ◆ Low VSWR & Insertion Loss
- ◆ High Isolation, Indoor & Outdoor IP65
- ◆ Widely used for In-building Solutions

Technical & Mechanical Specifications

Model No.	TY-DC738-06-4F3	TY-DC738-10-4F3	TY-DC738-15-4F3
Freq(MHz)	698-3800		
Coupling(dB)	6	10	15
IL(dB)	≤1.75	≤1.0	≤0.5
Accuracy(dB)	±1.0	±1.0	±1.0
Isolation(dB)	≥24	≥28	≥33
VSWR	≤1.3		
PIM(dBc)	≤-160dBc@2*43dBm(698-2700MHz)		
Power(W)	200 (Average)		
Impedance	50 ohm		
Connector	4.3-10 Female		
Color	Black		
Temp(deg)	-30~+65		
Application	Indoor & Outdoor IP65		
Humidity	5%-95%		

Mechanical Drawing



Tongyu Communication Inc.

No. 1, Dongzhendong 2nd RD, Torch Hi-Tech Development Zone, Zhongshan, Guangdong, China
Tel: +86 (0)760 85318111 Fax: +86 (0)760 85594662 Website: www.tycc.cn email: sales@tycc.cn