

# 小型板状天线安装说明书

## Installation Guide for Panel Antenna



Issue: 01

### NOTE/说明

1, Only qualified personnel are allowed to install the antenna.  
1, 天线的安装需由合格的安装人员操作。

2, Appearance of the actual antenna may differ from the pictures.  
2, 部分图示与实物可能稍有差别, 具体情况请以实物为准。

### Installation tools

#### 安装工具



8 mm combination wrench (2 PCS)  
8mm 两用扳手 (2 PCS)

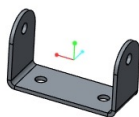
10 mm combination wrench (2 PCS)  
10mm 两用扳手 (2 PCS)

注: 客户自备

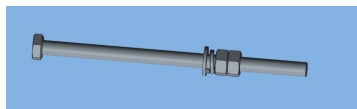
Note: Prepared by customer

### Bracket Subassembly

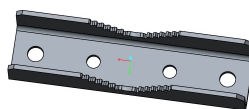
#### 支架组件(The picture is for reference only)



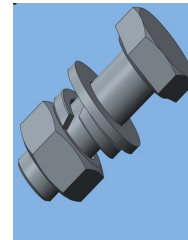
安装架, 1个;  
"U" Kit, 1 pcs;



螺丝螺母, 2组;  
M10x180, 2 pcs



夹码, 2个;  
Clamp, 2 pcs;

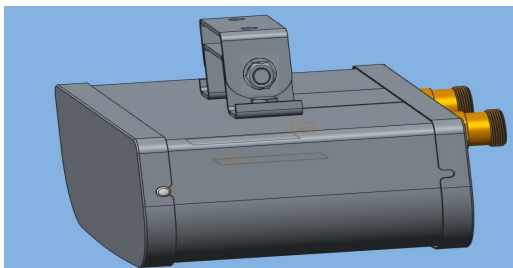


螺丝螺母, 4组;  
M8x22, 4 pcs

## 安装方法Installation Guide:

1

### Install the bracket 安装支架

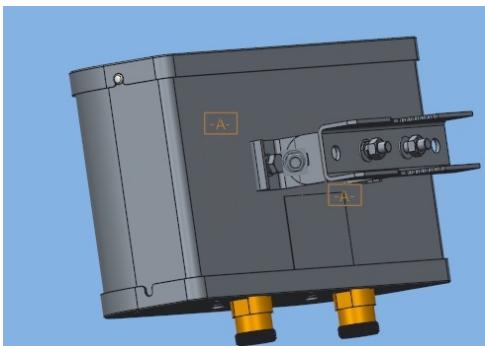


把安装架固定在天线中部安装片处, 再将2pcs外六角螺丝M8X22装上, 弹平垫装在螺母端, 用18Nm扭矩拧紧螺母。

Fix the mounting frame on the mounting plate in the middle of the antenna, then install 2pcs external hexagon screws M8x22, install the spring flat washer on the nut end, and tighten the nut with 18Nm torque.

2

### Install the clamp 安装夹码



把1个夹码装到上步完成的安装架上, 再装上2个外六角螺丝M8X22, 弹平垫装在螺母端。用18Nm扭矩拧紧螺母。

Install 1 clamp on the mounting frame completed in the previous step, then install 2 outer hexagonal screws M8x22, and install the spring flat washer on the nut end. Tighten the nut with 18Nm torque.

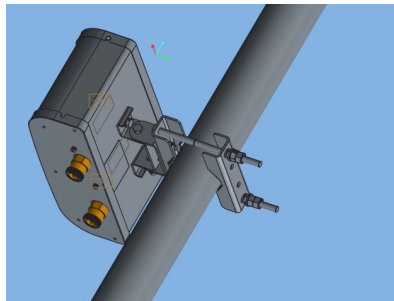
# 小型板状天线安装说明书

## Installation Guide for panel antenna

Issue: 01



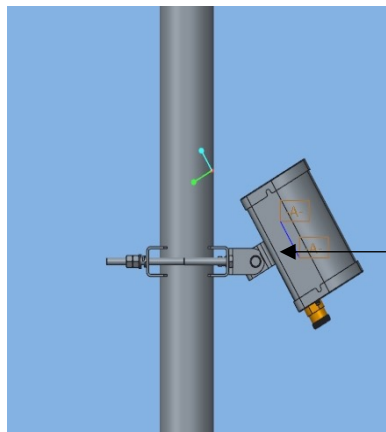
### 3 Install the antenna 安装天线



先在夹码上装上2根外六角螺丝M10x180，再装上抱杆（抱杆范围 $\phi 50-\phi 115\text{mm}$ ）以及1个夹码，用32Nm扭矩拧紧螺母。

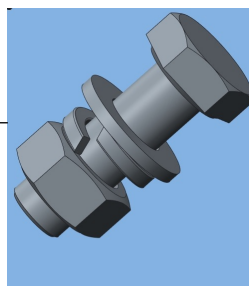
Install two outer hexagonal screws M10x180 on the clamping code, then install the holding rod (the range of the pole  $\phi 50-\phi 115\text{mm}$ ) and one clamping code, and tighten the nut with 32Nm torque.

### 4 Adjust the mechanical downtilt angle 调节机械下倾角



将天线调至合适的下倾角度，然后将所有螺丝螺母拧紧，安装完成。

Adjust the antenna to a proper down tilt, and then tighten all screws and nuts to complete installation



平垫圈 $\phi 8$   
弹性垫圈 $\phi 8$   
外六角螺母M8  
外六角螺丝M8x22

Flat washer  $\phi 8$   
Elastic washer  $\phi 8$   
Outer hexagon nut M8  
Outer hexagon screw M8x22

Table 1

Screws size/螺钉尺寸	Torque/力矩
M8	18 Nm
M10	32 Nm

Finally, tighten all the nuts.  
Recommended torque see Table 1.

最后拧紧所有螺母。参考扭矩如表1所示。

#### Note/注意:

Make sure the antenna is installed in a safe and suitable location and well clear away from high power lines.

天线安装时，要选择一个远离高压的安全点进行安装；

Do not attempt to carry out installation when it is raining, snowing or during stormy weather.

严禁在下雨、下雪或刮大风等天气恶劣的时候安装天线；

Do not attempt to install the antenna on a pole of diameter other than the specified 50 ~ 115mm.

选择合适的抱杆，严禁使用直径为50 ~ 115mm之外的抱杆；

For particular installation, please contact Tongyu Communication Inc.

如需特殊安装请联系 广东通宇通讯股份有限公司，网址：www.tycc.cn