



800/900/1800/2100/2600 Penta Band Combiner 10in 2out

ELECTRICAL SPECIFICATIONS

ANT1-Port1&ANT2-Port6 Frequency Range (MHz)	790-862MHz
Insertion Loss (dB)	0.4dB Typical 0.5dB max
Return Loss	20dB Typical, 18dB min
Isolation(880-960MHz&1710-1880MHz&1920-2170MHz&2490-2690MHz)	>52dB Typical,50dBmin
Intermodulation	<-160dBc Typical, <-155dBc (with 2x43dBm)
ANT1-Port2&ANT2-Port7 Frequency Range (MHz)	880-960MHz
Insertion Loss (dB)	0.4dB Typical 0.5dB max
Return Loss	20dB Typical, 18dB min
Isolation (790-862MHz&1710-1880MH&1920-2170MHz&2490-2690MHz)	>52dB Typical,50dBmin
Intermodulation	<-160dBc Typical, <-155dBc (with 2x43dBm)
ANT1-Port3&ANT2-Port8 Frequency Range (MHz)	1710-1880MHz
Insertion Loss (dB)	0.35dB Typical 0.4dB max
Return Loss	20dB Typical, 18dB min
Isolation(790-862MHz&880-960MHz&1920-2170MHz&&2490-2690MHz))	>52dB Typical,50dBmin
Intermodulation	<-160dBc Typical, <-155dBc (with 2x43dBm)
ANT1-Port4&ANT2-Port9 Frequency Range (MHz)	1920-2170MHz
Insertion Loss (dB)	0.35dB Typical 0.4dB max
Return Loss	20dB Typical, 18dB min
Isolation(790-862MHz&880-960MHz&1920-2170MHz&&2490-2690MHz))	>52dB Typical,50dBmin
Intermodulation	<-160dBc Typical, <-155dBc (with 2x43dBm)
ANT1-Port5&ANT2-Port10 Frequency Range (MHz)	2490-2690MHz
Insertion Loss (dB)	0.35dB Typical 0.4dB max
Return Loss	20dB Typical, 18dB min
Isolation(790-862MHz&880-960MHz&1710-1880&1920-2170MHz)	>52dB Typical,50dBmin
Intermodulation	<-160dBc Typical, <-155dBc (with 2x43dBm)
Power per port	200W
DC Pass Current	3A
Impedance	50 Ω

MECHANICAL SPECIFICATIONS

Dimension HxWxD mm (body)	Double Unit: 330x200x123mm (Filter Body)
Weight	Double Unit: ≤8.2kg (Net weight)
Colors	Light Grey
RF Connectors	7/16 DIN-Female or 4.3-10-Female
Mounting Kit	Mounting kit for pole and wall included

ENVIRONMENTAL SPECIFICATIONS

Temperature Range	-40°C to +65°C
Operational	ETS 300 019-1-4
Transportation	ETS 300 019-1-2
Storage	ETS 300 019-1-1
Lightning Protection	±5KA8/20us
Housing	Aluminum
Ingress Protection	IP67

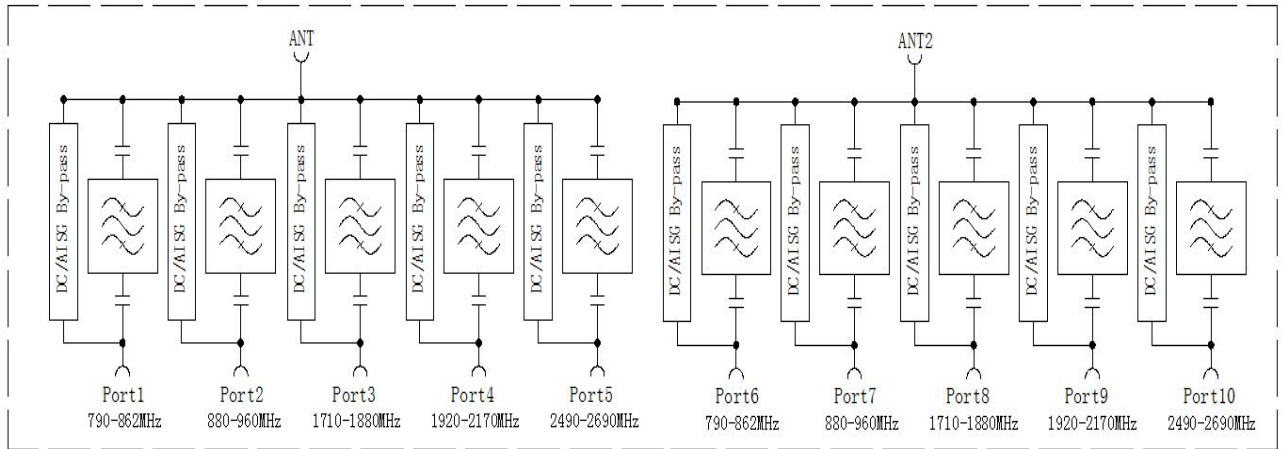
TongyuCommunication Inc.

No. 1, Dongzhendong 2nd RD, Torch Hi-Tech Development Zone, Zhongshan, Guangdong, China
Tel: +86 (0)760 85318111 Fax: +86 (0)760 85594662 Website: www.tycc.cn email: sales@tycc.cn

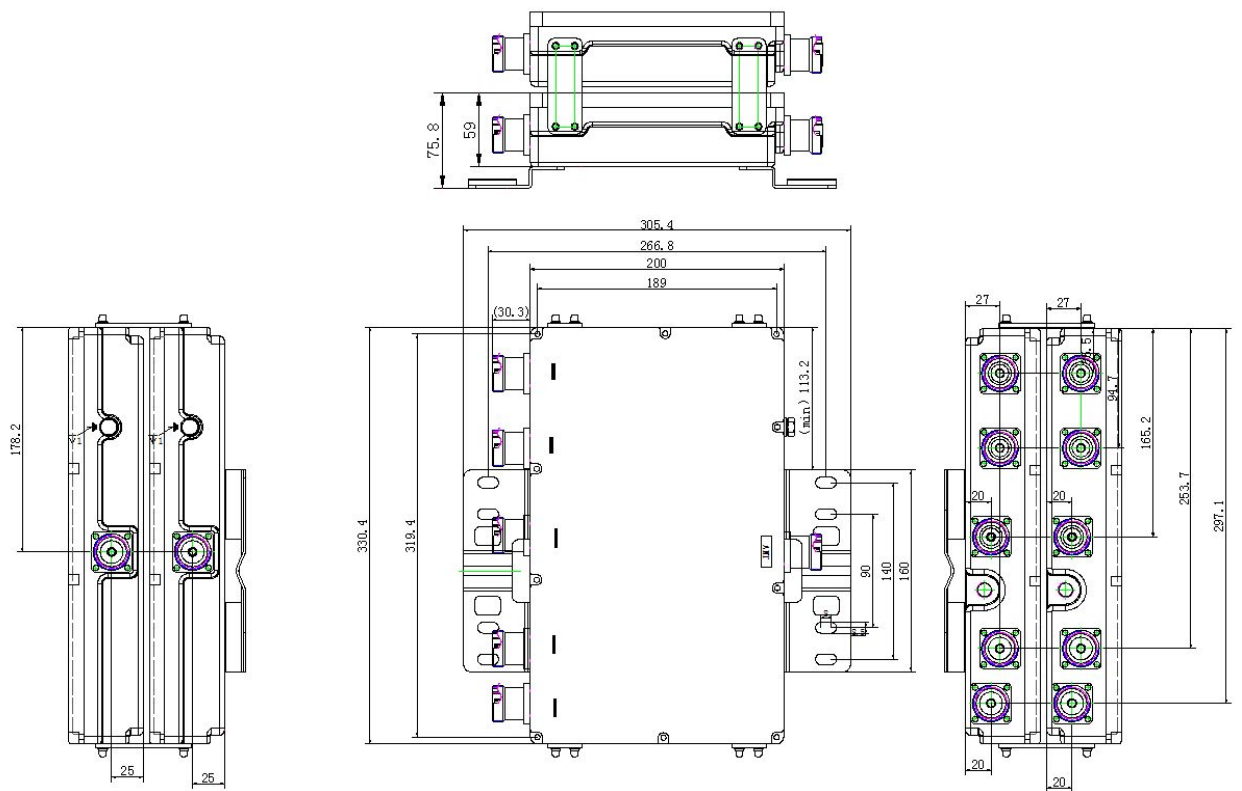


800/900/1800/2100/2600 Penta Band Combiner 10in 2out

Block Diagram



Mechanical Dimension



TongyuCommunication Inc.

No. 1, Dongzhendong 2nd RD, Torch Hi-Tech Development Zone, Zhongshan, Guangdong, China
Tel: +86 (0)760 85318111 Fax: +86 (0)760 85594662 Website: www.tycc.cn email: sales@tycc.cn



800/900/1800/2100/2600 Penta Band Combiner 10in 2out

Ordering Information

Part Number	Product Type	DC Configuration				
		DC pass in 800 band	DC pass in 900 band	DC pass in 1.8 band	DC pass in 2.1 band	DC pass in 2.6 band
TYT-C025D004(F1V1)	Double Unit	√	√	√	√	√
TYT-C025D004(F1V2)	Double Unit	×	√	√	√	√
TYT-C025D004(F1V3)	Double Unit	×	×	√	√	√
TYT-C025D004(F1V4)	Double Unit	×	×	×	√	√
TYT-C025D004(F1V5)	Double Unit	×	×	×	×	√
TYT-C025D004(F1V6)	Double Unit	√	√	√	√	×
TYT-C025D004(F1V7)	Double Unit	√	√	√	×	×
TYT-C025D004(F1V8)	Double Unit	√	√	×	×	×
TYT-C025D004(F1V9)	Double Unit	√	×	×	×	×
TYT-C025D004(F1V10)	Double Unit	×	×	×	×	×

Application

The Combiner TYT-C025D004 to be used for combining 08/09/1.8/2.1/2.6 signals to a common feeder. Rejection between the two systems is provided to suppress wide band noise and spurious signals between the systems. The combiner has a configurable DC path to provide both DC and modulated subcarrier communication to TMA and RET systems over the feeder cable. This unit is intended for indoor or outdoor installations.

TYCC vented enclosure is designed to prevent the effect of condensation thereby guaranteeing long reliable, maintenance free service in all environmental conditions.

TongyuCommunication Inc.

No. 1, Dongzhendong 2nd RD, Torch Hi-Tech Development Zone, Zhongshan, Guangdong, China
Tel: +86 (0)760 85318111 Fax: +86 (0)760 85594662 Website: www.tycc.cn email: sales@tycc.cn