

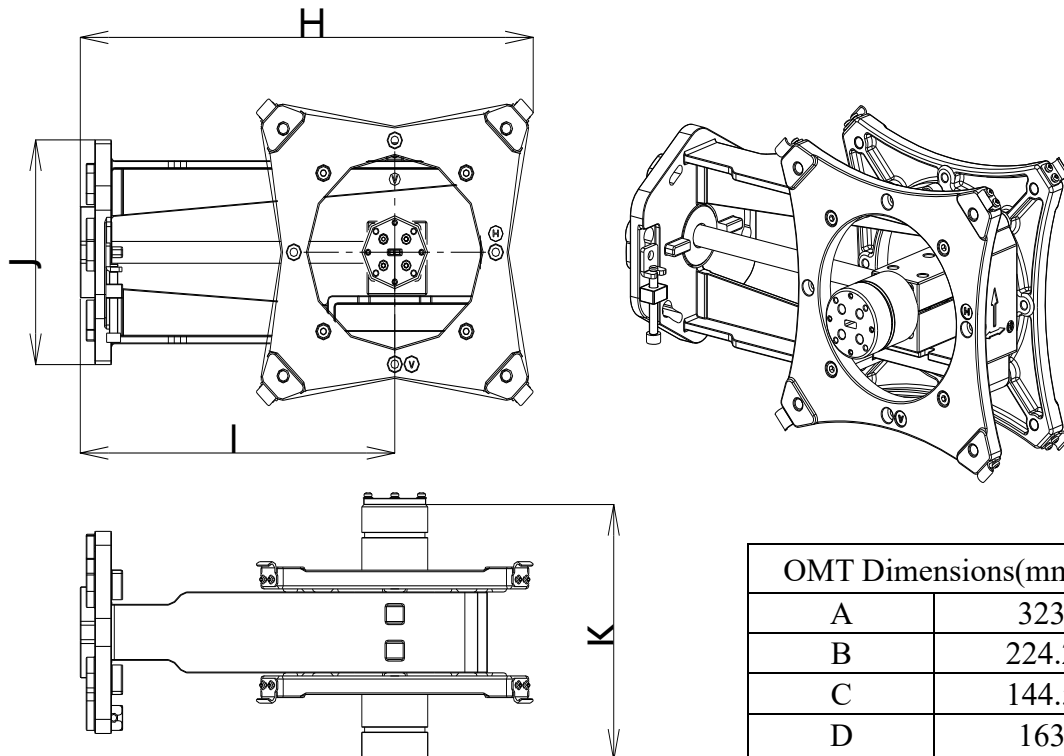
18GHz Direct-Mount Orthomode Transducer (OMT)

Electrical Specification

Frequency range (GHz)	17.7~19.7
Insertion loss max. (dB)	0.6
Isolation min. (dB)	35
VSWR	1.3
Antenna interface	Tongyu antenna interface
ODU interface	WR42

Mechanical Specification

Material	Aluminum Alloy
Dimensions(mm)	323×144.2×163
Paking size, L×W×H (mm)	440×300×240
Operating temperature (°C)	-40~60



OMT Dimensions(mm)	
A	323
B	224.2
C	144.5
D	163