

## 10.7~11.7GHz ODU Adapter with Remec ODU Structure



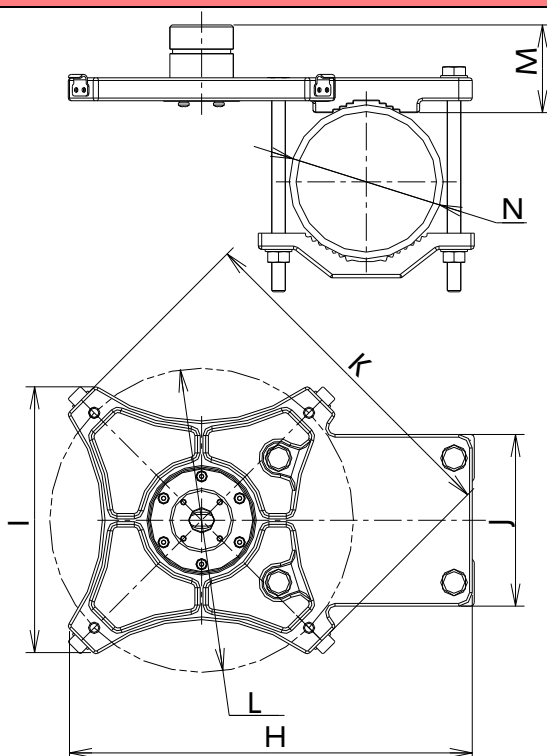
### Electrical specifications

Frequency range (GHz)	10.7~11.7
Polarization	Vertical (Pre-set )
Loss (max.) (dB)	≤0.2
Ripple of loss (dB)	≤0.2
VSWR	≤1.2

### Mechanical specifications

Interface 1 (ODU side)	0.740" dia
Interface 2 (Flexible waveguide side)	UBR120
Packing material	Carton
Packing size (mm)	370X270X110
Mounting pole	51-114mm
Color	White
Material	Aluminum Alloy
Waveguide Water tightness	Watertight
Operating temperature (°C)	-45°C ~ 60°C
ROHS compliance	2002/95/EC

### Structure Information



Coupler Dimensions(mm)	
A	300
B	197
C	127
D	252
E	φ 225
F	65
G	φ 51 ~ φ 114