



TYAS90U27WV

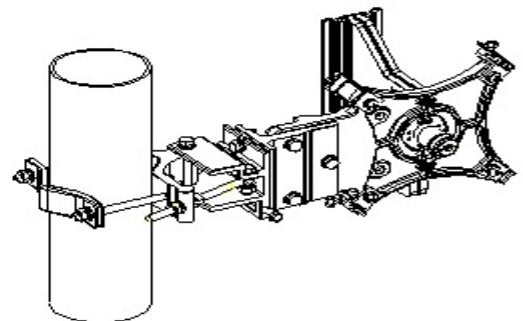
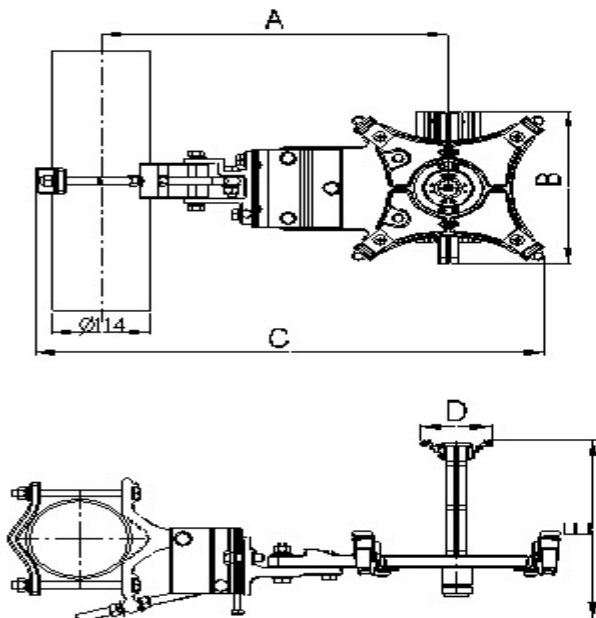
24.5 ~ 29.5 GHz, 90 deg. Sectored Single Beam Antenna

Electrical Specifications

Frequency (GHz)	24.5 ~ 29.5
Polarization	Single V
Gain (dBi)	18
Beam Width (deg)	Azimuth : 90 Elevation : 6
F/B Ratio (dB)	35
VSWR (max)	1.5
Regulatory Compliance	ETSI EN 302 326-3 SS3 Envelope for Anatel SS3
Cross-pol. Discrimination_XPD (dB)	25

Mechanical Specifications

Antenna Color	Aluminium
Wave-guide Size	Customized
Azimuth Adjustment (°)	Coarse : 360° Fine : ±30°
Elevation Adjustment (°)	Maximum -30° to +30° Fine : ±15°
Diameter of Mounting Pole (mm)	Φ51 ~ Φ114
Wind Velocity Survival Rating (m/s)	67
Wind Velocity Operational (m/s)	55
Operational Temperature (°C)	-45~+60
Operating power (dBm)	20
Axial Force (N)	394
Side Force (N)	194
Twisting Moment (N·m)	155
Packaging	Carton
L×W×H (mm)	350×340×260



Dimensions(mm)	
A	394
B	236
C	581
D	54
E	238