



TYA60X02U039V

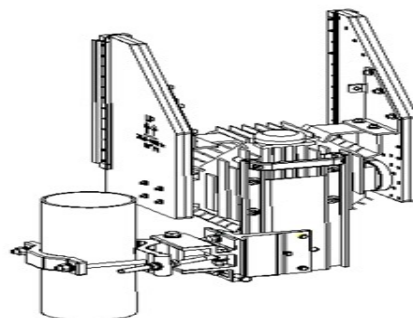
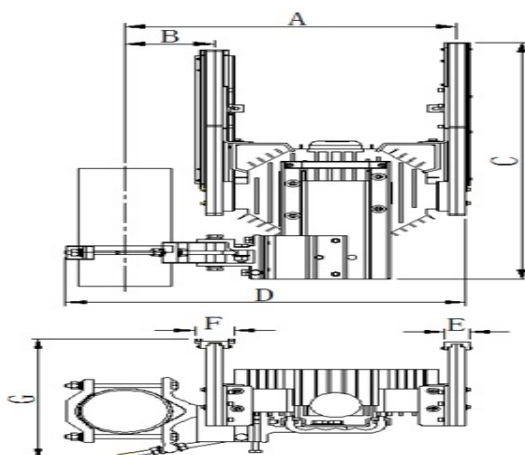
38.6 ~ 40 GHz, 60 deg. Sectored Single Beam Antenna

Electrical Specifications

Frequency (GHz)	38.6~40.0
Polarization	Single V
Gain (dBi)	24
BeamWidth (deg)	Azimuth : 60 Elevation : 1.8
Sidelobe rejection (dB)	35dB @120 degrees
F/B Ratio (dB)	40
VSWR (max)	1.5
Regulatory Compliance	ETSI EN 302 326-3 SS3 Envelope for Anatel SS3
Cross-pol. Discrimination_XPD (dB)	25

Mechanical Specifications

Antenna Color	White
Wave-guide Size	Customized
Azimuth Adjustment (°)	Fine : ±30
Elevation Adjustment (°)	Fine : ±30
Diameter of Mounting Pole (mm)	Φ51~Φ114
Wind Velocity Survival Rating (m/s)	58
Operational Temperature (°C)	-45~+55
Operating power (dBm)	20
Packaging	Carton
Gross Weight (kg)	12.1
Net Weight (kg)	10.3
L×W×H (mm)	400×40×200



Dimension (mm)	
A	407
B	111
C	602
D	495
E	31
F	48.5
G	305