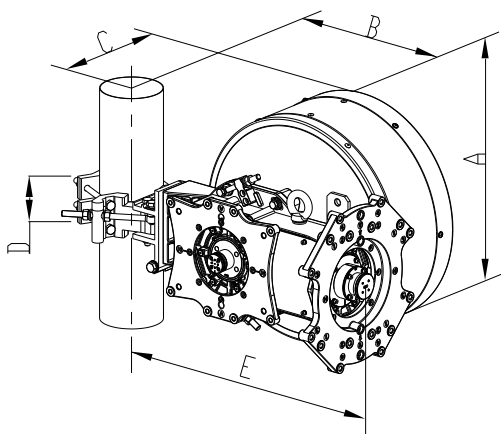


Product Specifications

0.3m, Dual Band Antenna, Single-Polarized,14.4 ~ 15.35,71~86GHz

Electrical Specifications		
Frequency (GHz)	14.4~15.35	71~86
Polarization	Single (V or H)	Single (V or H)
Gain , Low(dBi)	30.1	44.5
Gain, Mid(dBi)	30.6	45.5
Gain, Top(dBi)	31.1	46.5
Beam Width (deg)	3.9	0.7
Cross-pol. Discrimination_XPD (dB)	30	30
F/B Ratio (dB)	55	62
VSWR (max)	1.5	1.5
Regulatory Compliance	ETSI Class3	ETSI Class3
Mechanical Specifications		
Diameter (m)	0.3	
Antenna Color	White	
Wave-guide Size	153 IEC-R140	153 IEC-R740
Radome Options	Foam	
Azimuth Adjustment	Coarse : 360 ° Fine : ±15 °	
Elevation Adjustment	Fine : ±15 °	
Diameter of Mounting Pole (mm)	Φ90~Φ114	
Wind Velocity Survival Rating (m/s)	70	70
Wind Velocity Operational (m/s)	56	40
Ice-load (mm)	25.4	
Operational Temperature (°C)	-45~+60	
Axial Force (N)	508	
Side Force (N)	250	
Twisting Moment (N•m)	159	
Packaging	Carton	
Net weight(kg)	14.76	
Cross weight(kg)	19.85	
L×W×H (mm)	776×556×496	



Dimensions (mm)	A	B	C	D	E
	413	313	259	85	591

Note: All size data above is equalled when the pole diameter is 114.