



# 1.2m 23G Antenna TYA12U023S

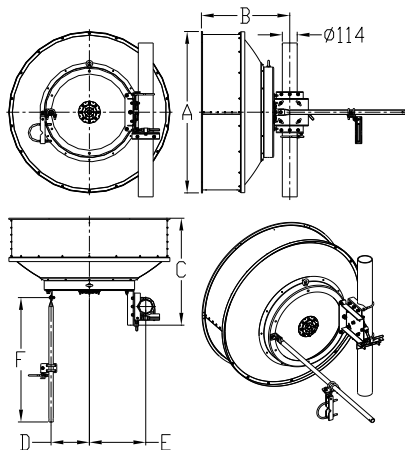
## 1.2m, 23GHz, Ultra High Performance, Single-Polarized Antenna

### Electrical Specifications

Frequency (GHz)	21.2~23.6
Polarization	Single(V or H)
Gain , Low (dBi)	46
Gain, Mid (dBi)	46.7
Gain, Top (dBi)	47
Beam Width (deg)	0.8
Cross-pol. Discrimination_XPD (dB)	30
F/B Ratio (dB)	74
VSWR (max)	1.3
Regulatory Compliance	ETSI EN 302 217-4-2V 1.5.1 Range3, Class3

### Mechanical Specifications

Diameter (m)	1.2
Antenna Color	Cool Gray
Wave-guide Size	153 IEC-R220
Radome Options	Molded
Azimuth Adjustment	Coarse : 360 ° Fine : ±10°
Elevation Adjustment	Coarse : ±10° Fine : ±10°
Diameter of Mounting Pole (mm)	Φ114
Wind Velocity Survival Rating (m/s)	67
Wind Velocity Operational (m/s)	30
Ice-load (mm)	25.4
Operational Temperature (°C)	-45 ~ +60
Axial Force (N)	4008
Side Force (N)	1978
Twisting Moment (N•m)	1759
Packaging	Wooden
L×W×H (mm)	1380×450×1700



Dimensions (mm)	
A	1246
B	727
C	872
D	320
E	439
F	1470