



0.3m80G C3 Antenna

TYA03U080D

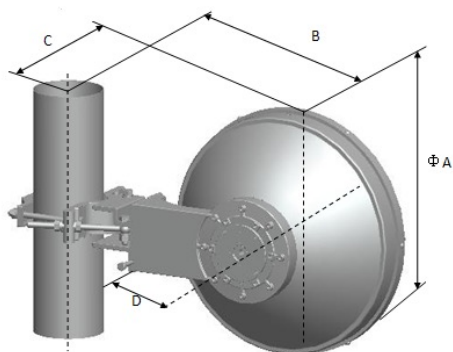
0.3m Ultra High Performance Dual-Polarized, 71 ~ 86GHz

Electrical Specifications

Frequency (GHz)	71~86
Polarization	Dual (V & H)
Gain, Low (dBi)	41.1
Gain, Mid (dBi)	41.8
Gain, Top (dBi)	42.4
Beam Width (deg)	0.9
Cross-pol. Discrimination_XPD (dB)	27
F/B Ratio (dB)	62
VSWR (max)	1.5
ISO. (dB)	35
Regulatory Compliance	ETSI EN 302 217-4-2V 1.5.1 Range7, Class3

Mechanical Specifications

Diameter (m)	0.3
Wave-guide Size	153 IEC-R740
Radome Options	Molded
Azimuth Adjustment	Coarse: 360° Fine: ±15°
Elevation Adjustment	Coarse: ±25° Fine: ±15°
Diameter of Mounting Pole (mm)	Φ51~Φ114
Wind Velocity Survival Rating (m/s)	70
Wind Velocity Operational (m/s)	56
Ice-load (mm)	25.4
Operational Temperature (°C)	-45~+60
Axial Force (N)	407
Side Force (N)	201
Twisting Moment (N·m)	168
Packaging	Carton
L×W×H (mm)	500×450×510



Dimensions (mm)	A	B	C	D
	399	367	105	200

Note: The values of B and C are acquired when the pole diameter is 114