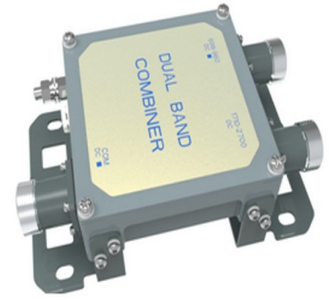


380-960/1710-2700MHz 双频段 Combiner TY-C022S010(F1V1)



Electrical

P 或 1-P 或 t3

Frequency range, MHz.....	380-960
Insertion loss, dB.....	0.3 max.
Return loss, dB.....	18 min.
Rejection, dB (1710-2700MHz).....	50 min.

Intermodulation, dBc.....	≤-155 (带 2 x43 dBm)IM3@910 MHz
Peak power, W.....	1600
Average power, W.....	250

P 或 t2-P 或 t3

Frequency range, MHz.....	1710-2700
Insertion loss, dB.....	0.4 max.
Return loss, dB.....	18 min.
Rejection, dB (380-960MHz).....	50 min.

Intermodulation, dBc.....	≤-155 (带 2 x43 dBm)IM3@1730MHz
Peak power, W.....	1600
Average power, W.....	250

Mechanical

Height, depth, width, mm.....	132 x45x129
Weight with mounting brackets, kg.....	2.0 max.
Finish.....	Light Grey
Connector, RF.....	DIN 7/16-female
Ground Screw.....	M8
Mounting Kit.....	Pole & 墙

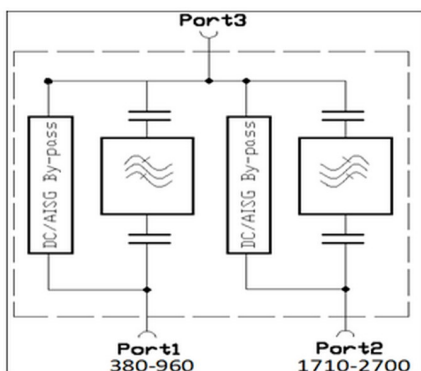
Environmental

Operating temperature range, °C.....	-40 至 +65
Relative humidity, %.....	0-90
Ingress protection.....	IP68

Part No.

TY- C022S001(F1V2) Full 直流 Pass

Block Diagram



Dimension

