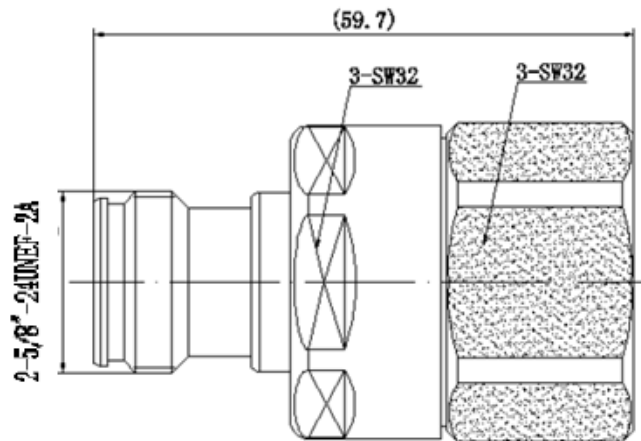


N Female Connector for 7/8" RF cable.

Electrical specifications	
Frequency Range	DC to 6 GHz
Impedance	50Ω
VSWR	< 1.10 (DC-2.7GHz) < 1.15 (2.7-3.8GHz) < 1.20 (3.8-6.0GHz)
Insertion loss	≤0.12 dB (@2200MHz)
Intermodulation IM3(2x43dBm)	≤-155 dBc
Proof Voltage(V)	2500
Insulation resistance	>5000MΩ
Contact resistance	Inner contact: <1.0mΩ
	Outer contact: <0.25mΩ

Mechanical specifications	
Connector specification	IEC 61169-16
Interface durability	100 cycles
Nut torque	5N.m
Durability	300 Cycles MIN.
Operating temperature	-40 °C to +85 °C
Waterproof standard	IP68
RoHS compliance	Yes



All dimensions are in mm