



698- 960/1710-1880/1920-2170/2300 -2700/3300-3800 MHz Penta-Band Combiner 5in 1out

TY-C035S101(F2V6)

ELECTRICAL SPECIFICATIONS

ANT-Port1 Frequency Range (MHz)	698-960MHz
Insertion Loss (dB)	0.25 Typical, 0.3max
Return Loss	20dB Typical, 18dB min
Isolation(1710-1880MHz&1920-2170MHz&2300-2700MHz&3300-3800MHz)	>52dB Typical,50dBmin
Intermodulation	<-155dBc (with 2x43dBm)
ANT-Port4 Frequency Range (MHz)	1710-1880MHz
Insertion Loss (dB)	0.35 Typical, 0.4max
Return Loss	20dB Typical, 18dB min
Isolation (698-960MHz&1920-2170MHz&2300-2700MHz&3300-3800MHz)	>52dB Typical,50dBmin
Intermodulation	<-155 dBc (with 2x43dBm)
ANT-Port5 Frequency Range (MHz)	1920-2170MHz
Insertion Loss (dB)	0.35 Typical, 0.4max
Return Loss	20dB Typical, 18dB min
Isolation(698-960MHz&1710-1880MHz&2300-2700MHz&3300-3800MHz)	>52dB Typical,50dBmin
Intermodulation	<-155 dBc (with 2x43dBm)
ANT-Port3 Frequency Range (MHz)	2300-2700MHz
Insertion Loss (dB)	0.35 Typical, 0.4max
Return Loss	20dB Typical, 18dB min
Isolation(698-960MHz&1710-1880MHz&1920-2170MHz&&3300-3800)	>52dB Typical,50dBmin
Intermodulation	<-155 dBc (with 2x43dBm)
ANT-Port2 Frequency Range (MHz)	3300-3800MHz
Insertion Loss (dB)	0.35 Typical, 0.4max
Return Loss	20dB Typical, 18dB min
Isolation(698-960MHz&1710-1880&1920-2170MHz&2300-2700MHz)	>52dB Typical,50dBmin
Intermodulation	<-155 dBc (with 2x43dBm)
Power per port	300W
Impedance	50 Ω

MECHANICAL SPECIFICATIONS

Dimension HxWxD mm (body)	Single Unit:256x170x51mm (Filter Body)
Weight	Single Unit: ≤5kg (Net weight)
Colors	Light Grey
RF Connectors	4.3-10 Female
Mounting Kit	Mounting kit for pole and wall included

ENVIRONMENTAL SPECIFICATIONS

Temperature Range	-40°C to +65°C
Operational	ETS 300 019-1-4
Transportation	ETS 300 019-1-2
Storage	ETS 300 019-1-1
Lightning Protection	±5KA 8/20us
Housing	Aluminum
Ingress Protection	IP67

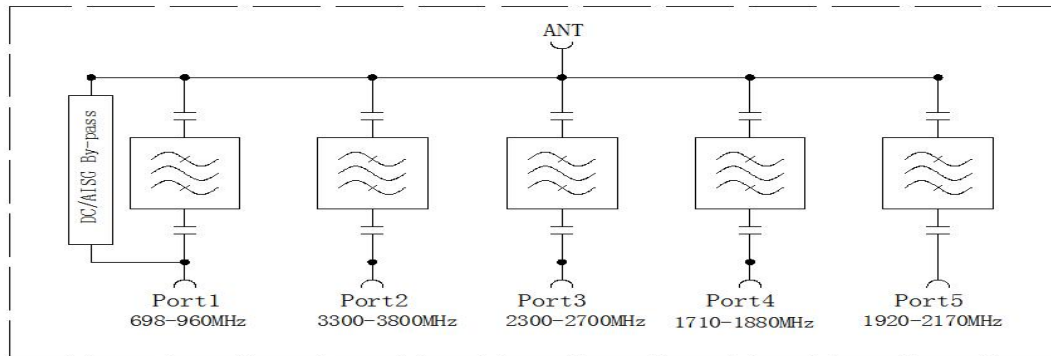
TongyuCommunication Inc.

No. 1, Dongzhendong 2nd RD, Torch Hi-Tech Development Zone, Zhongshan, Guangdong, China
Tel: +86 (0)760 85318111 Fax: +86 (0)760 85594662 Website: www.tycc.cn email: sales@tycc.cn

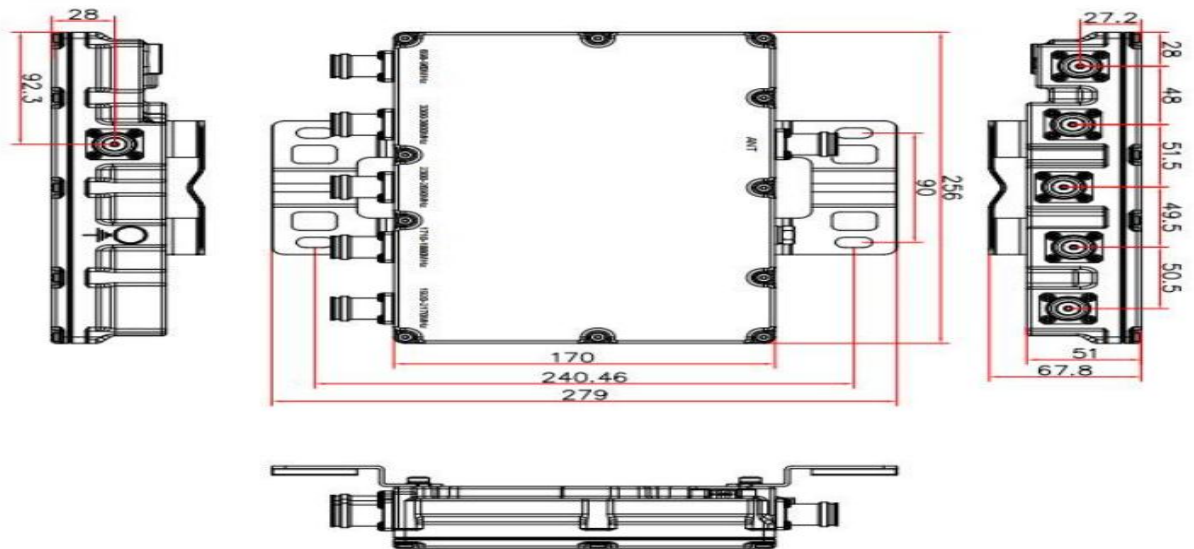


698- 960/1710-1880/1920-2170/2300 -2700/3300-3800 MHz Penta-Band Combiner 5in 1out

Block Diagram



Mechanical Dimension



Ordering Information

Part Number	Product Type	DC Configuration				
		DC pass in 698-960 band	DC pass in 1710-1880 band	DC pass in 1920-2170 band	DC pass in 2300-2700 band	DC pass in 3300-3800 band
TY-C035S101(F2V6)	Single Unit	✓	✗	✗	✗	✗

Application

The Combiner TY-C035S101(F2V6) to be used for combining 698-960/1710-1880/1920-2170/2300-2700/3300-3800 signals to a common feeder. Rejection between the two systems is provided to suppress wide band noise and spurious signals between the systems. The combiner has a configurable DC path to provide both DC and modulated subcarrier communication to TMA and RET systems over the feeder cable. This unit is intended for indoor or outdoor installations.

TYCC vented enclosure is designed to prevent the effect of condensation thereby guaranteeing long reliable, maintenance free service in all environmental conditions.