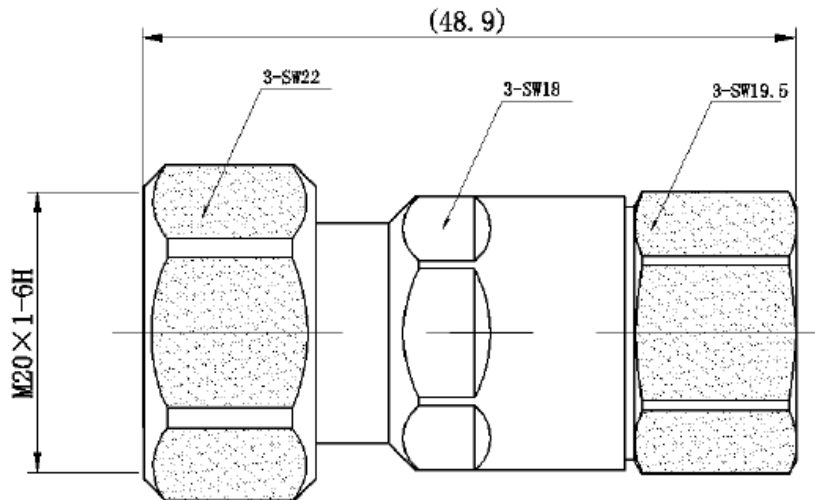


4.3-10 Male Connector for 1/2" RF Annular Cable.

Electrical specifications	
Frequency Range	DC to 6 GHz
Impedance	50Ω
VSWR	< 1.10 (DC-2.7GHz) < 1.15 (2.7-3.8GHz) < 1.20 (3.8-6.0GHz)
Insertion loss	≤0.05 dB
Intermodulation IM3(2x43dBm)	≤-160 dBc
Proof Voltage(V)	3000
Insulation resistance	>10000MΩ
Contact resistance	Inner contact: <0.2mΩ Outer contact: <0.8mΩ

Mechanical specifications	
Connector specification	IEC 61169-54
Interface durability	300 cycles
Nut torque	25N.m
Durability	500 Cycles MIN.
Operating temperature	-40 °C to +85 °C
Waterproof standard	IP68
RoHS compliance	Yes



All dimensions are in mm