



Power Splitter

Product Name

Power Splitter (698-3800MHz, 300W, IP65, -160dBc)

Product Features

- ◆ Wide Frequency Band 698-3800MHz
- ◆ 2G/3G/4G/LTE Coverage
- ◆ Low Passive Intermodulation
- ◆ Low VSWR & Insertion Loss
- ◆ High Isolation, Indoor & Outdoor
- ◆ Widely used for In-building Solutions

Technical & Mechanical Specifications

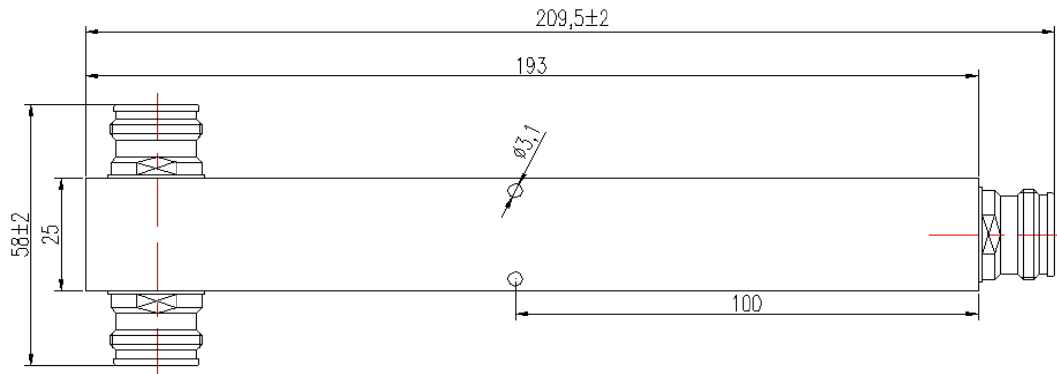
Model No.	TY-PS738-02-43L8	TY-PS738-03-43L8	TY-PS738-04-43L8
Freq(MHz)	698-3800		
Port	2-way	3 -way	4-way
Insertion Loss(dB)	≅ 3.3	≅ 5.3	≅ 6.5
VSWR	≤1.3		
PIM(dBc)	≤-160dBc@2*43dBm (698-2700MHz)		
Average Power(W)	300		
Impedance	50 ohm		
Connector	4.3-10 Female		
Temp(deg)	Indoor or Outdoor IP65		
Humidity	5%-95%		
Application	IP65		

Tongyu Communication Inc.

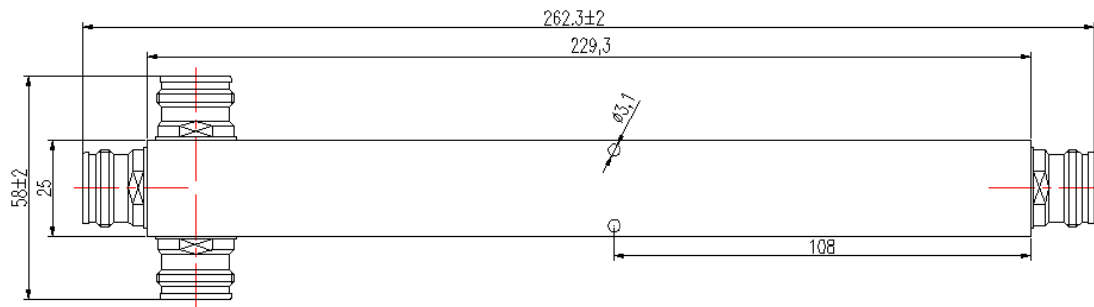
No. 1, Dongzhendong 2nd RD, Torch Hi-Tech Development Zone, Zhongshan, Guangdong, China
Tel: +86 (0)760 85318111 Fax: +86 (0)760 85594662 Website: www.tycc.cn email: sales@tycc.cn



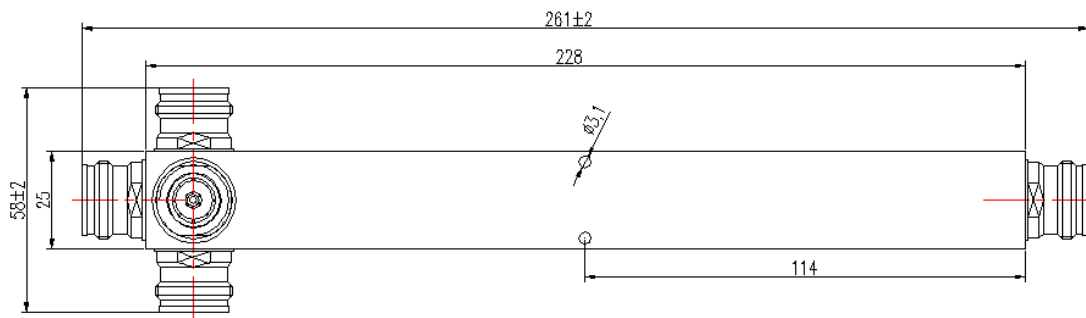
Mechanical Drawing



2-Way



3-Way



4-Way