



790-1880MHz/1920-2170MHz Dual Band Combiner 2in 1out

ELECTRICAL SPECIFICATIONS

ANT-Port1 Frequency Range (MHz)	790-960&1710-1880MHz
Insertion Loss (dB)	0.3dB Typical 0.35dB max
Return Loss	20dB Typical,18dB min
Isolation(1920-2170MHz)	>52dB Typical,50dBmin
Intermodulation	<-160dBc typical ,< -155dBc min (with 2x43dBm)
ANT-Port2 Frequency Range (MHz)	1920-2170MHz
Insertion Loss (dB)	0.3 dB Typical 0.35dB max
Return Loss	20dB Typical,18dB min
Isolation(790-960&1710-1880MHz)	>52dB Typical,50dBmin
Intermodulation	<-160dBc typical ,< -155dBc min (with 2x43dBm)
Average power	200W
DC Pass Current	3A
Impedance	50 Ω

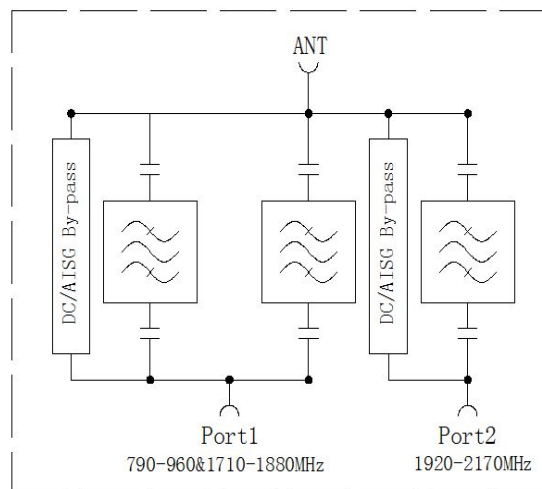
MECHANICAL SPECIFICATIONS

Dimension HxWxD mm (body)	Single Unit: 155x154x55.5mm (filter body)
Weight	Single Unit: \leq 1.8kg (net weight)
Colors	Light grey
RF Connectors	7/16 DIN-Female or 4.3-10-Female
Mounting Kit	Mounting kit for pole and wall included

ENVIRONMENTAL SPECIFICATIONS

Temperature Range	-40°C to +65°C
Operational	ETS 300 019-1-4
Transportation	ETS 300 019-1-2
Storage	ETS 300 019-1-1
Lightning Protection	\pm 5KA 8/20us
Housing	Aluminum
Ingress Protection	IP67

Block Diagram.



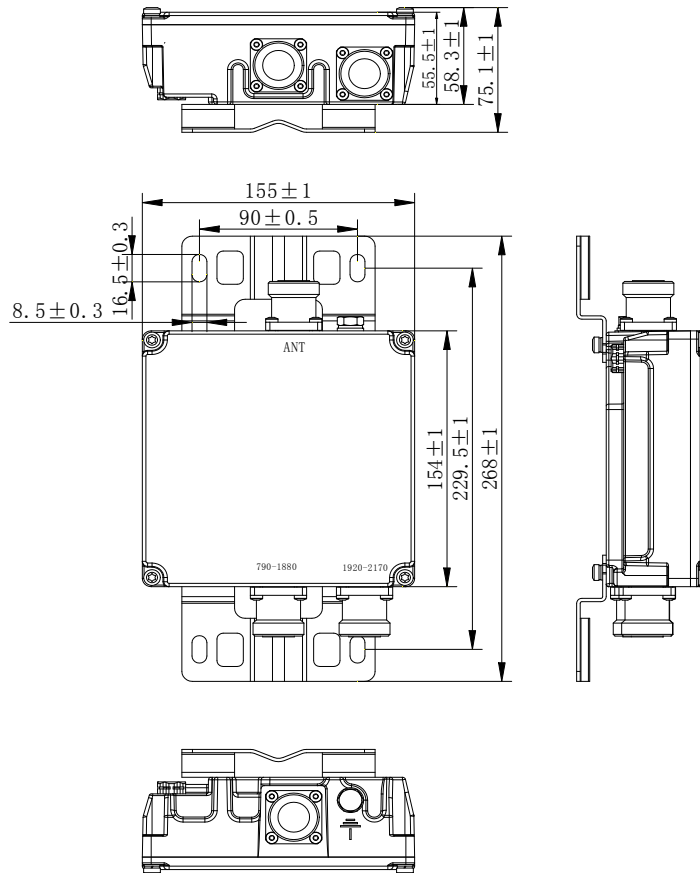
Tongyu Communication Inc.

No. 1, Dongzhendong 2nd RD, Torch Hi-Tech Development Zone, Zhongshan, Guangdong, China
Tel:+86 (0)760 85318111 Fax:+86 (0)760 85594662 Website:www.tycc.cn email:sales@tycc.cn



790-1880MHz/1920-2170MHz Dual Band Combiner 2in 1out

Mechanical Dimension



Ordering Information

Part Number	Product Type	DC Configuration	
		DC pass in LOW band	DC pass in High band
TY-C122S174(F1V1)	Single Unit	✓	✓
TY-C122S174(F1V2)	Single Unit	✓	✗
TY-C122S174(F1V3)	Single Unit	✗	✓
TY-C122S174(F1V4)	Single Unit	✗	✗

Application

The Combiner TY-C122S174 to be used for combining LOW/High signals to a common feeder. Rejection between the two systems is provided to suppress wide band noise and spurious signals between the systems. The combiner has a configurable DC path to provide both DC and modulated subcarrier communication to TMA and RET systems over the feeder cable. This unit is intended for indoor or outdoor installations.

TYCC vented enclosure is designed to prevent the effect of condensation thereby guaranteeing long reliable, maintenance free service in all environmental conditions.

Tongyu Communication Inc.

No. 1, Dongzhendong 2nd RD, Torch Hi-Tech Development Zone, Zhongshan, Guangdong, China
Tel:+86 (0)760 85318111 Fax:+86 (0)760 85594662 Website:www.tycc.cn email:sales@tycc.cn