



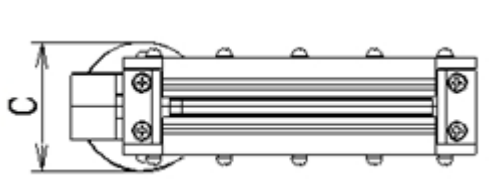
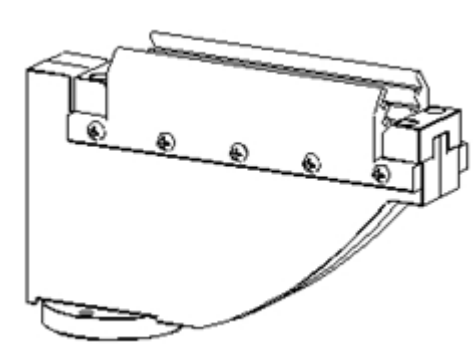
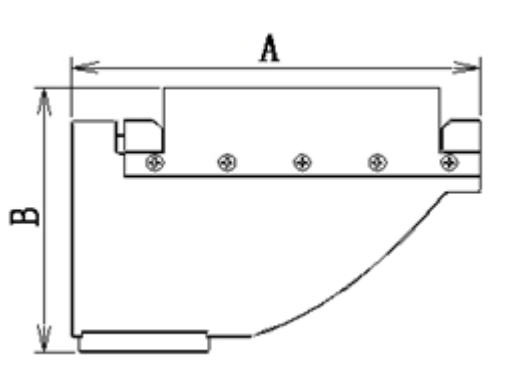
TYAS30U026H

24.25 ~ 27.5 GHz, 30 deg. Sectored Single Beam Antenna

Gain (dBi)	18
Beam Width (deg)	Azimuth : 30 Elevation : 10
F/B Ratio (dB)	35
VSWR (max)	1.5
Regulatory Compliance	ETSI EN 302 326-3 SS3 Envelope for Anatel SS3
Cross-pol. Discrimination_XPD (dB)	25

Mechanical Specifications

Antenna Color	Aluminium
Wave-guide Size	Customized
Operational Temperature (°C)	-45~+60
Operating power (dBm)	20
Packaging	Carton
L×W×H (mm)	120×43×100



Dimensions(mm)φ	
Aφ	120φ
Bφ	100φ
Cφ	43φ