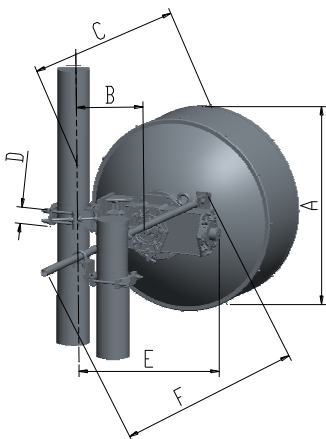


Product Specifications

0.6m, Dual Band Antenna, Single-Polarized, 14.4 ~ 15.35, 71~86GHz

Electrical Specifications		
Frequency (GHz)	14.4~15.35	71~86
Polarization	Single (V or H)	Single (V or H)
Gain , Low(dBi)	35	49.5
Gain, Mid(dBi)	35.3	50
Gain, Top(dBi)	35.7	50.5
Beam Width (deg)	2.1	0.4
Cross-pol. Discrimination_XPD (dB)	30	30
F/B Ratio (dB)	63	67
VSWR (max)	1.5	1.5
Regulatory Compliance	ETSI Class3	ETSI Class3
Mechanical Specifications		
Diameter (m)	0.6	
Antenna Color	White	
Wave-guide Size	153 IEC-R140	153 IEC-R740
Radome Options	Molded	
Azimuth Adjustment	Coarse : 360 ° Fine : ±15 °	Coarse : 360 ° Fine : ±15 °
Elevation Adjustment	Fine : ±15 °	Fine : ±15 °
Diameter of Mounting Pole (mm)	Φ51~Φ114	Φ51~Φ114
Wind Velocity Survival Rating (m/s)	70	70
Wind Velocity Operational (m/s)	56	56
Ice-load (mm)	25.4	
Operational Temperature (°C)	-45~+60	
Axial Force (N)	1298	1035
Side Force (N)	649	518
Twisting Moment (N•m)	545	434
Packaging	Carton	
Net weight(KG)	22.5Kg	
Cross weight(KG)	29.3Kg	
L×W×H (mm)	880*750*650	

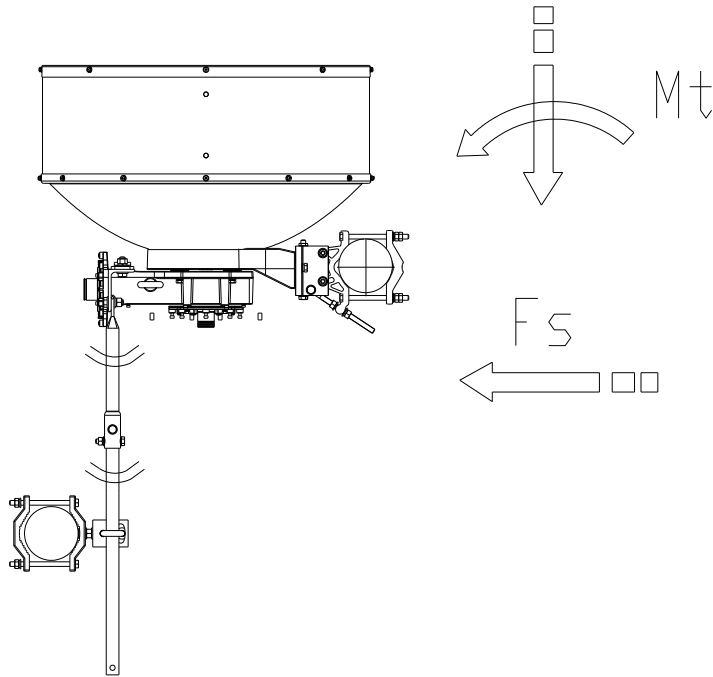


Dimensions (mm)	A	B	C	D	E	F
	702	340	428	63	600	1360

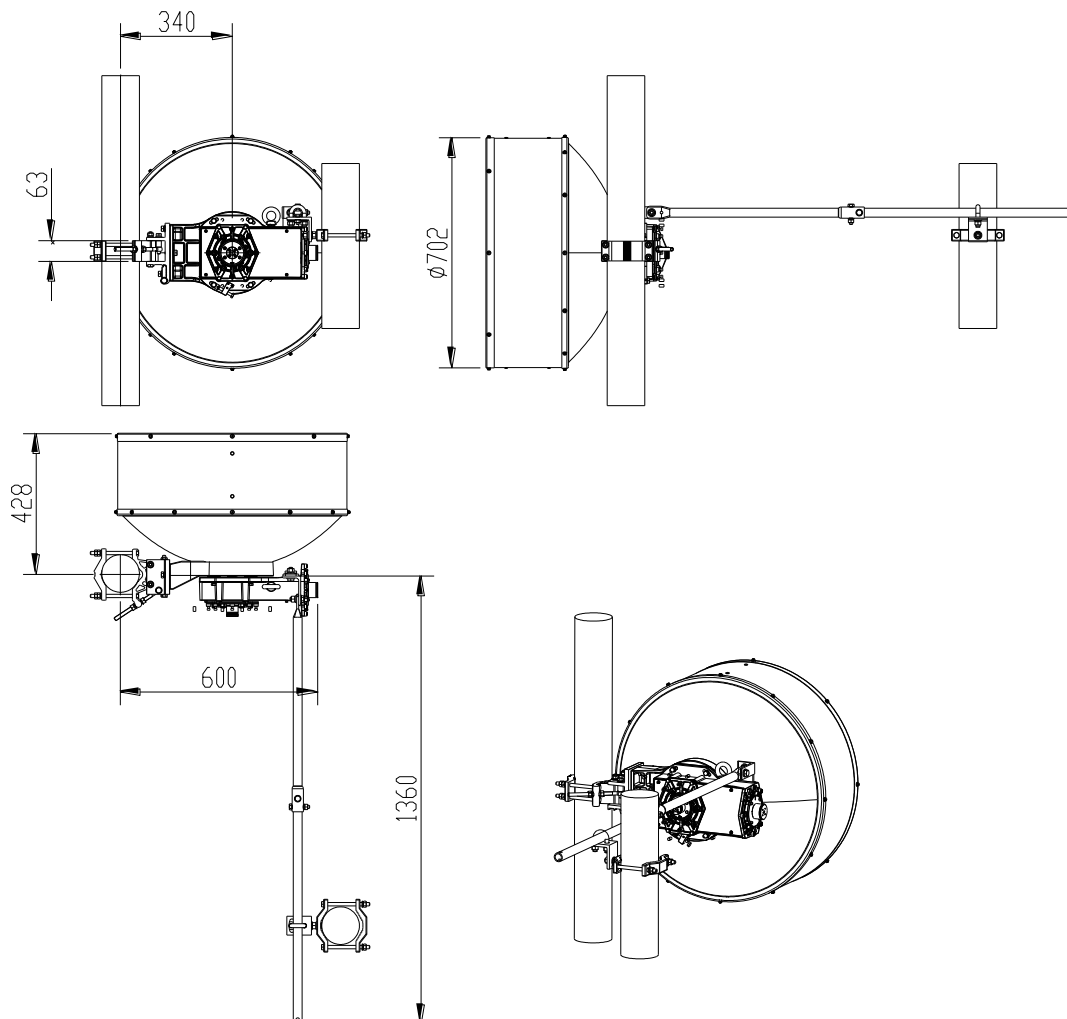
Note: All size data above is equaled when the pole diameter is 114.

Product Specifications

Wind Forces at Wind Velocity Survival Rating Image



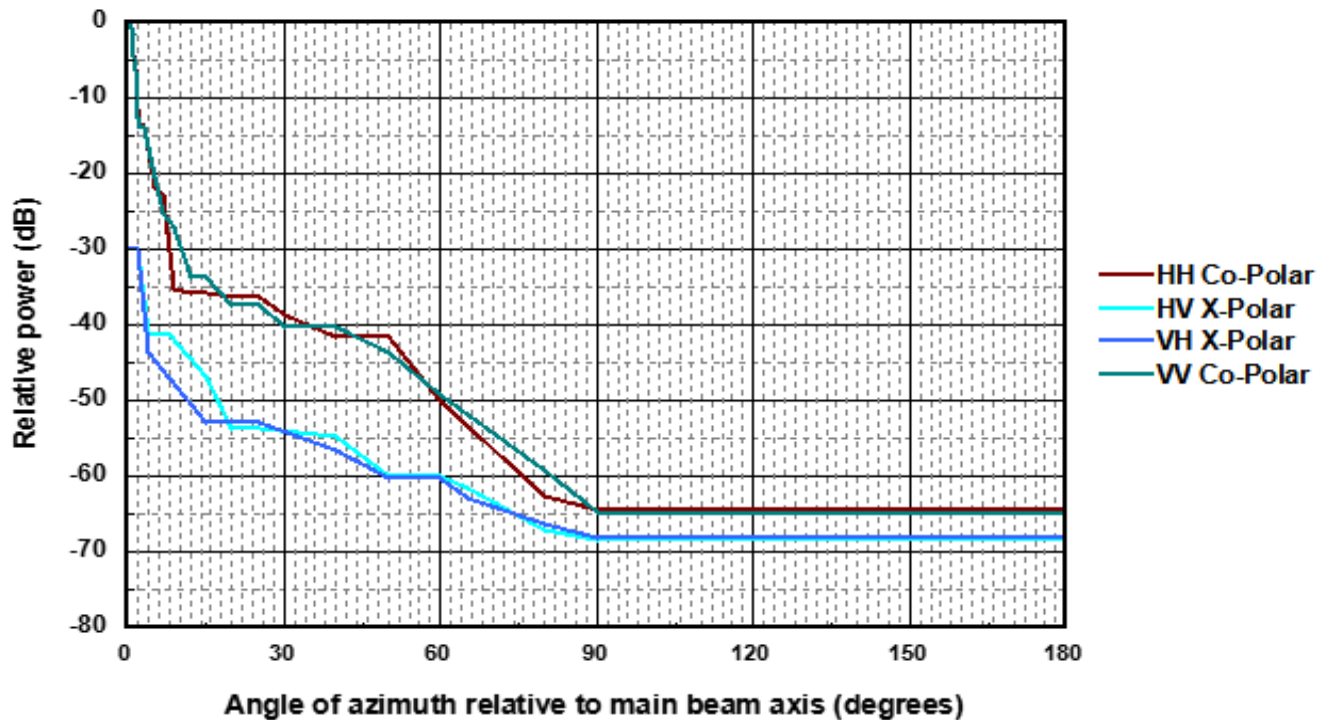
Antenna Dimensions and Mounting Information



Product Specifications

Radiation Pattern Envelope Reference (RPE)

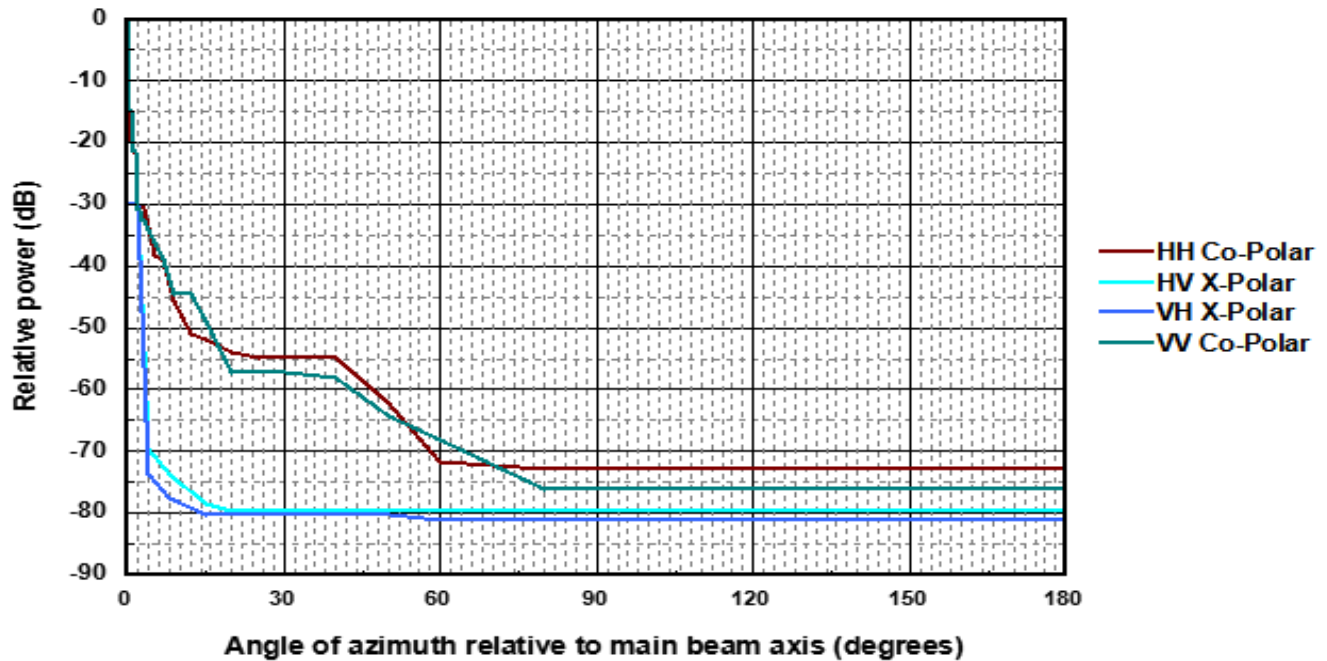
0.6m 14.4~15.35 GHz Radiation Pattern Envelope



H-H		V-V		H-V		V-H	
0.0	0.00	0.0	0.00	0.0	-30.00	0.0	-30.00
0.3	-0.12	0.3	-0.09	2.0	-30.00	2.0	-30.00
0.5	-0.47	0.5	-0.39	4.0	-41.37	4.0	-43.65
0.8	-0.99	0.8	-0.93	8.0	-41.37	8.0	-47.26
1.0	-1.83	1.0	-1.83	15.0	-46.93	15.0	-53.00
1.3	-4.37	1.3	-4.56	20.0	-53.62	25.0	-53.00
1.5	-6.05	1.5	-6.50	25.0	-53.62	40.0	-56.75
1.8	-8.38	1.8	-9.06	40.0	-54.89	50.0	-60.45
2.0	-11.41	2.0	-12.63	50.0	-59.93	60.0	-60.45
2.3	-13.90	2.3	-14.13	60.0	-59.93	65.0	-63.03
3.0	-13.90	3.0	-14.13	65.0	-61.64	80.0	-66.33
5.0	-21.95	5.0	-20.53	80.0	-67.14	90.0	-68.13
7.0	-23.00	7.0	-25.26	90.0	-68.50	180.0	-68.13
9.0	-35.35	9.0	-27.29	180.0	-68.50		
12.0	-35.92	12.0	-33.69				
15.0	-35.92	15.0	-33.69				
20.0	-36.51	20.0	-37.46				
25.0	-36.51	25.0	-37.46				
30.0	-38.76	30.0	-40.36				
40.0	-41.61	40.0	-40.36				
50.0	-41.61	50.0	-43.88				
60.0	-49.97	60.0	-49.33				
80.0	-62.78	80.0	-59.27				
90.0	-64.58	90.0	-64.86				
180.0	-64.58	100.0	-65.12				
		180.0	-65.12				

Product Specifications

0.6m 71 ~ 86 GHz Radiation Pattern Envelope



H-H		V-V		H-V		V-H	
0.0	0.00	0.0	0.00	0.0	-30.00	0.0	-30.00
0.3	-6.53	0.3	-4.52	2.0	-30.00	2.0	-30.00
0.5	-19.78	0.5	-14.80	4.0	-69.66	4.0	-73.80
0.8	-19.78	0.8	-14.80	8.0	-73.67	8.0	-77.62
1.0	-21.40	1.0	-21.50	15.0	-78.40	15.0	-80.23
1.3	-21.40	1.5	-21.50	20.0	-79.74	25.0	-80.23
1.5	-21.68	1.8	-28.02	180.0	-79.74	40.0	-80.38
1.8	-28.59	2.0	-31.01			50.0	-80.38
2.0	-30.69	2.5	-31.01			60.0	-81.02
3.0	-30.69	2.8	-32.65			180.0	-81.02
5.0	-38.23	3.0	-32.65				
7.0	-39.29	5.0	-36.18				
9.0	-45.70	7.0	-38.81				
12.0	-50.89	9.0	-44.54				
15.0	-51.85	12.0	-44.54				
20.0	-53.84	15.0	-48.99				
25.0	-54.71	20.0	-57.27				
40.0	-54.71	30.0	-57.27				
50.0	-62.28	40.0	-58.02				
60.0	-71.78	50.0	-64.27				
80.0	-72.81	60.0	-68.04				
180.0	-72.81	80.0	-76.15				
		180.0	-76.15				