



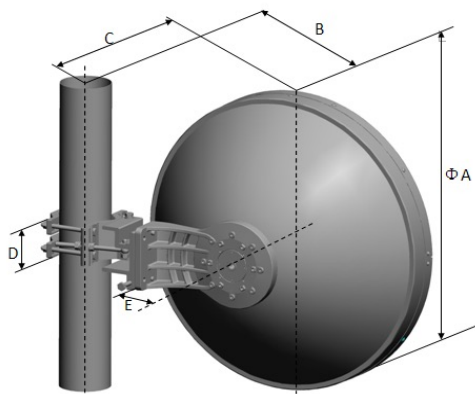
0.6m, Ultra High Performance, Single-Polarized, 71 ~ 86GHz

Electrical Specifications

Frequency (GHz)	71~86
Polarization	Single (V or H)
Gain , Low (dBi)	48.6
Gain, Mid (dBi)	49.1
Gain, Top (dBi)	49.6
Beam Width (deg)	0.5
Cross-pol. Discrimination_XPD (dB)	27
F/B Ratio (dB)	67
VSWR (max)	1.5
Regulatory Compliance	ETSI EN 302 217-4-2V 1.5.1 Range7, Class3

Mechanical Specifications

Diameter (m)	0.6
Antenna Color	Pantone Cool Gray 1C
Wave-guide Size	153 IEC-R740
Radome Options	Molded
Azimuth Adjustment	Coarse : 360 ° Fine : ±15 °
Elevation Adjustment	Coarse : ±25° Fine : ±15 °
Diameter of Mounting Pole (mm)	Φ51 ~ Φ114
Wind Velocity Survival Rating (m/s)	70
Wind Velocity Operational (m/s)	56
Ice-load (mm)	25.4
Operational Temperature (°C)	-45 ~ +60
Axial Force (N)	1218
Side Force (N)	601
Twisting Moment (N•m)	505
Packaging	Carton
L×W×H (mm)	750×750×440



Dimensions (mm)	A	B	C	D	E
	675	382.5	271	89	210

Note: The values of B and C are acquired when the pole diameter is 114